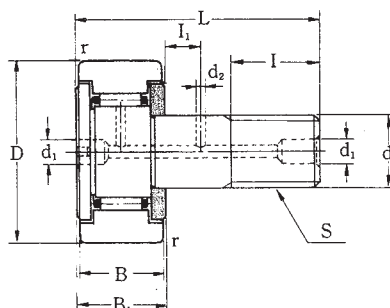
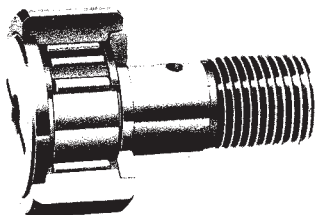
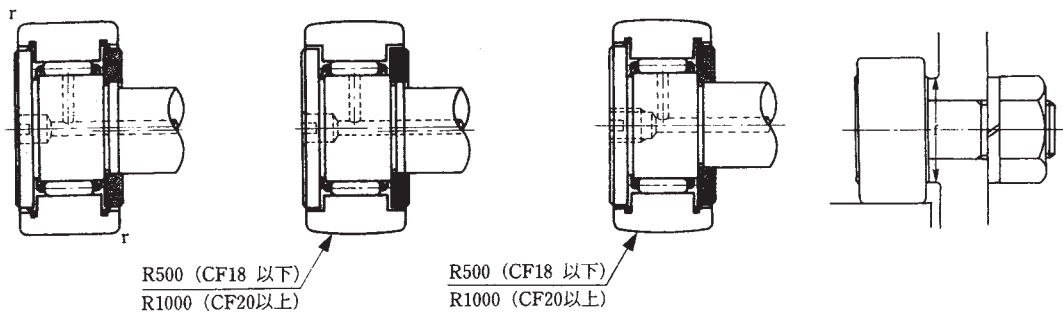


# CF型



CF

公稱型號				主要			
圓筒外輪		球面外輪		d	D	S	B
標準型	防塵型	標準型	防塵型				
CF 3 A	CF 3UU A	CF 3R A	CF 3UUR A	3	10	M 3×0.5	7
CF 4 A	CF 4UU A	CF 4R A	CF 4UUR A	4	12	M 4×0.7	8
CF 5	CF 5UU	CF 5R	CF 5UUR	5	13	M 5×0.8	9
CF 6	CF 6UU	CF 6R	CF 6UUR	6	16	M 6×1	11
CF 8	CF 8UU	CF 8R	CF 8UUR	8	19	M 8×1.25	11
CF10	CF10UU	CF10R	CF10UUR	10	22	M10×1.25	12
CF10-1	CF10-1UU	CF10-1R	CF10-1UUR	10	26	M10×1.25	12
CF12	CF12UU	CF12R	CF12UUR	12	30	M12×1.5	14
CF12-1	CF12-1UU	CF12-1R	CF12-1UUR	12	32	M12×1.5	14
CF16	CF16UU	CF16R	CF16UUR	16	35	M16×1.5	18
CF18	CF18UU	CF18R	CF18UUR	18	40	M18×1.5	20
CF20	CF20UU	CF20R	CF20UUR	20	52	M20×1.5	24
CF20-1	CF20-1UU	CF20-1R	CF20-1UUR	20	47	M20×1.5	24
CF24	CF24UU	CF24R	CF24UUR	24	62	M24×1.5	29
CF24-1	CF24-1UU	CF24-1R	CF24-1UUR	24	72	M24×1.5	29
CF30	CF30UU	CF30R	CF30UUR	30	80	M30×1.5	35
CF30-1	CF30-1UU	CF30-1R	CF30-1UUR	30	85	M30×1.5	35
CF30-2	CF30-2UU	CF30-2R	CF30-2UUR	30	90	M30×1.5	35



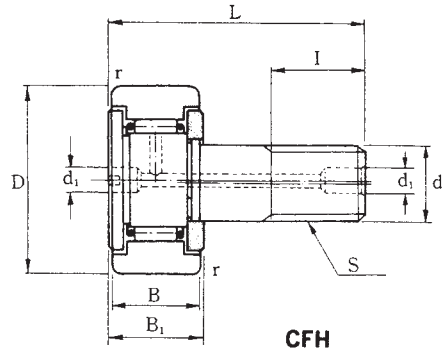
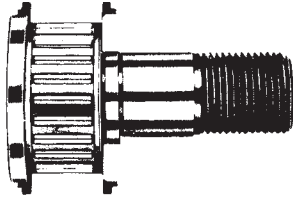
CF...UU

CF...R

CF...UUR

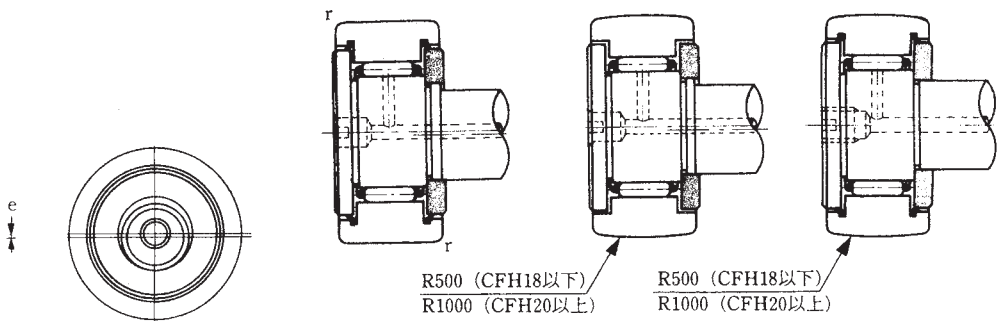
尺寸 mm									重量 grf	基本定格荷重		軌道 負荷容量 kgf	回転数 rpm
B <sub>1</sub>	L	d <sub>1</sub>	d <sub>2</sub>	I	I <sub>1</sub>	r	f (最小)	C kgf		C <sub>0</sub> kgf			
8	17	-	-	5	-	0.3	6.8	4.5	130	72	120 50	47000	
9	20	-	-	6	-	0.5	8.6	7.5	190	120	160 60	37000	
10	23	3.1	-	7.5	-	0.5	9.7	10.5	280	180	200 70	29000	
12	28	4	-	9	-	0.5	11	18.5	330	240	310 90	25000	
12	32	4	-	11	-	0.5	13	28.5	390	300	370 120	20000	
13	36	4	-	13	-	1	15	45	430	370	430 140	17000	
13	36	4	-	13	-	1	15	60	430	370	500 180	17000	
15	40	6	3	14	6	1.5	20	95	710	620	640 210	14000	
15	40	6	3	14	6	1.5	20	105	710	620	680 240	14000	
19.5	52	6	3	18	8	1.5	24	170	1040	1090	1020 270	10000	
21.5	58	6	3	20	10	1.5	26	250	1410	1690	1320 320	8500	
25.5	66	8	4	22	12	1.5	36	460	1940	2350	2110 700	7000	
25.5	66	8	4	22	12	1.5	36	385	1940	2350	1910 610	7000	
30.5	80	8	4	25	12	1.5	40	815	2600	3050	3120 900	6500	
30.5	80	8	4	25	12	1.5	40	1140	2600	3050	3620 1110	6500	
37	100	8	4	32	15	2	46	1870	3470	5350	4800 1280	5000	
37	100	8	4	32	15	2	46	2030	3470	5350	5100 1390	5000	
37	100	8	4	32	15	2	46	2220	3470	5350	5400 1490	5000	

# CFH型



CFH

公稱型號				主 要			
円筒外輪		球面外輪		d	D	S	B
標準型	防塵型	標準型	防塵型				
CFH 6	CFH 6UU	CFH 6R	CFH 6UUR	6	16	M 6×1	11
CFH 8	CFH 8UU	CFH 8R	CFH 8UUR	8	19	M 8×1.25	11
CFH10	CFH10UU	CFH10R	CFH10UUR	10	22	M10×1.25	12
CFH10-1	CFH10-1UU	CFH10-1R	CFH10-1UUR	10	26	M10×1.25	12
CFH12	CFH12UU	CFH12R	CFH12UUR	12	30	M12×1.5	14
CFH12-1	CFH12-1UU	CFH12-1R	CFH12-1UUR	12	32	M12×1.5	14
CFH16	CFH16UU	CFH16R	CFH16UUR	16	35	M16×1.5	18
CFH18	CFH18UU	CFH18R	CFH18UUR	18	40	M18×1.5	20
CFH20	CFH20UU	CFH20R	CFH20UUR	20	52	M20×1.5	24
CFH20-1	CFH20-1UU	CFH20-1R	CFH20-1UUR	20	47	M20×1.5	24
CFH24	CFH24UU	CFH24R	CFH24UUR	24	62	M24×1.5	29
CFH24-1	CFH24-1UU	CFH24-1R	CFH24-1UUR	24	72	M24×1.5	29
CFH30	CFH30UU	CFH30R	CFH30UUR	30	80	M30×1.5	35
CFH30-1	CFH30-1UU	CFH30-1R	CFH30-1UUR	30	85	M30×1.5	35
CFH30-2	CFH30-2UU	CFH30-2R	CFH30-2UUR	30	90	M30×1.5	35



CFH...UU

CFH...R

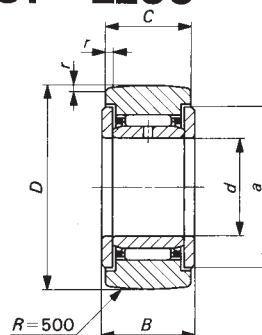
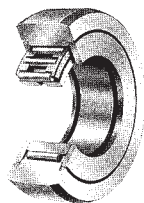
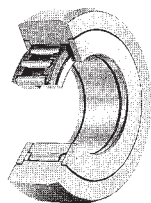
CFH...UUR

B	L	尺寸 mm		偏心量		重量 grf	基本定格荷重		軌道 負荷容量 kgf	回転数 rpm
		d <sub>1</sub>	l	e	r		C kgf	C <sub>0</sub> kgf		
12	28	4	9	0.25	0.5	18.5	330	240	310 90	25000
12	32	4	11	0.25	0.5	28.5	390	300	370 120	20000
13	36	4	13	0.3	1	45	430	370	430 140	17000
13	36	4	13	0.3	1	60	430	370	500 180	17000
15	40	6	14	0.4	1.5	95	710	620	640 210	14000
15	40	6	14	0.4	1.5	105	710	620	680 240	14000
19.5	52	6	18	0.5	1.5	170	1040	1090	1020 270	10000
21.5	58	6	20	0.6	1.5	250	1410	1690	1320 320	8500
25.5	66	8	22	0.7	1.5	460	1940	2350	2110 700	7000
25.5	66	8	22	0.7	1.5	385	1940	2350	1910 610	7000
30.5	80	8	25	0.8	1.5	815	2600	3050	3120 900	6500
30.5	80	8	25	0.8	1.5	1140	2600	3050	3620 1110	6500
37	100	8	32	1.0	2	1870	3470	5350	4800 1280	5000
37	100	8	32	1.0	2	2030	3470	5350	5100 1390	5000
37	100	8	32	1.0	2	2220	3470	5350	5400 1490	5000

# Separable Shield Roller Followers NAST...ZZ

## Separable Sealed Roller Followers NAST...ZZUU

Shaft dia. 6~50 mm

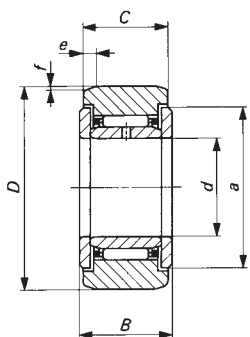


NAST...ZZR

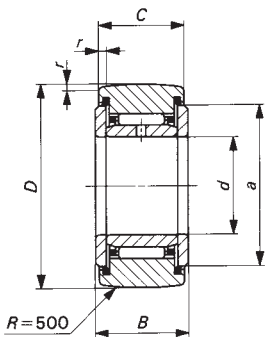
Shaft dia. mm	Identification number				Weight (Ref.)		
	Shield type		Sealed type		g	d	D
	Crowned outer ring	Cylindrical outer ring	Crowned outer ring	Cylindrical outer ring			
6	NAST 6 ZZR	NAST 6 ZZ	NAST 6 ZZUUR	NAST 6 ZZUU	24.5	6	19
8	NAST 8 ZZR	NAST 8 ZZ	NAST 8 ZZUUR	NAST 8 ZZUU	39	8	24
10	NAST 10 ZZR	NAST 10 ZZ	NAST 10 ZZUUR	NAST 10 ZZUU	65	10	30
12	NAST 12 ZZR	NAST 12 ZZ	NAST 12 ZZUUR	NAST 12 ZZUU	75	12	32
15	NAST 15 ZZR	NAST 15 ZZ	NAST 15 ZZUUR	NAST 15 ZZUU	83	15	35
17	NAST 17 ZZR	NAST 17 ZZ	NAST 17 ZZUUR	NAST 17 ZZUU	135	17	40
20	NAST 20 ZZR	NAST 20 ZZ	NAST 20 ZZUUR	NAST 20 ZZUU	195	20	47
25	NAST 25 ZZR	NAST 25 ZZ	NAST 25 ZZUUR	NAST 25 ZZUU	225	25	52
30	NAST 30 ZZR	NAST 30 ZZ	NAST 30 ZZUUR	NAST 30 ZZUU	400	30	62
35	NAST 35 ZZR	NAST 35 ZZ	NAST 35 ZZUUR	NAST 35 ZZUU	550	35	72
40	NAST 40 ZZR	NAST 40 ZZ	NAST 40 ZZUUR	NAST 40 ZZUU	710	40	80
45	NAST 45 ZZR	NAST 45 ZZ	NAST 45 ZZUUR	NAST 45 ZZUU	760	45	85
50	NAST 50 ZZR	NAST 50 ZZ	NAST 50 ZZUUR	NAST 50 ZZUU	830	50	90

Note (1): Minimum allowable value of chamfer r

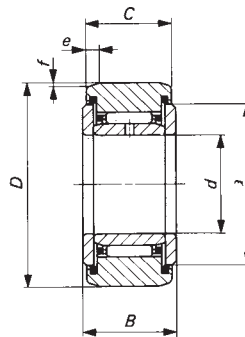
(2): Allowable rotational speed applies to Roller Followers lubricated with grease. When lubricated with oil, a maximum of 130% of the values are allowable. For sealed types, a maximum of 80% of the values are allowable.



NAST...ZZ



NAST...ZZUUR



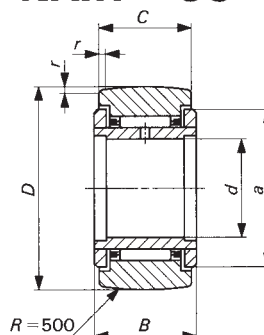
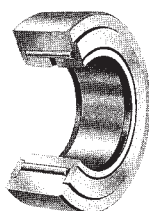
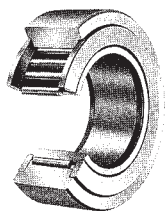
NAST...ZZUU

Boundary dimensions mm						Basic dynamic load rating C kgf	Basic static load rating C <sub>0</sub> kgf	Allowable rotational speed (2) rpm	Shaft dia. mm
B	C	a	e	f	r <sub>smin</sub> <sup>(1)</sup>				
14	13.8	14	2.5	0.8	0.3	420	460	17 000	<b>6</b>
14	13.8	17.5	2.5	0.8	0.6	580	600	14 000	<b>8</b>
16	15.8	23.5	2.5	0.8	1	1 000	990	12 000	<b>10</b>
16	15.8	25.5	2.5	0.8	1	1 070	1 110	11 000	<b>12</b>
16	15.8	29	2.5	0.8	1	1 260	1 460	8 500	<b>15</b>
20	19.8	32.5	3	1	1	1 790	2 130	7 500	<b>17</b>
20	19.8	38	3	1	1	1 980	2 500	7 000	<b>20</b>
20	19.8	43	3	1	1	2 120	2 890	5 500	<b>25</b>
25	24.8	50.5	4	1.2	1	3 110	4 630	4 500	<b>30</b>
25	24.8	53.5	4	1.2	1	3 300	5 170	4 000	<b>35</b>
26	25.8	61.5	4	1.2	1.5	3 660	6 230	3 500	<b>40</b>
26	25.8	66.5	4	1.2	1.5	3 810	6 770	3 000	<b>45</b>
26	25.8	76	4	1.2	1.5	3 970	7 310	3 000	<b>50</b>

# Non-separable Shield Roller Followers NART

## Non-separable Sealed Roller Followers NART...UU

Shaft dia. 5~50 mm

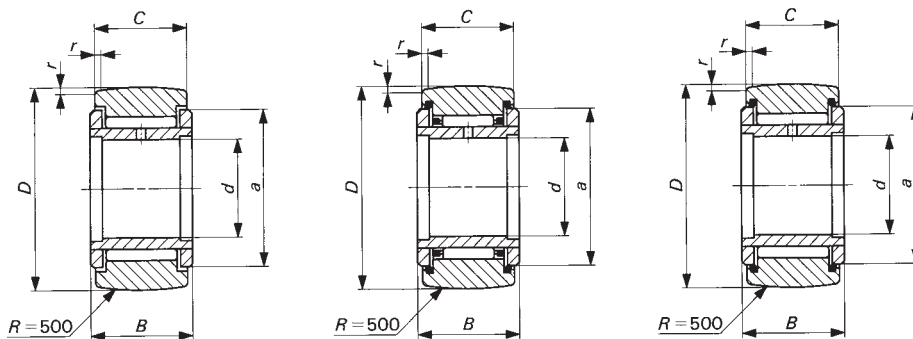


NART...R

Shaft dia. mm	Identification number				Weight (Ref.)		
	Shield type Crowned outer ring		Sealed type Crowned outer ring		g	d	D
	With cage	Full complement	With cage	Full complement			
5	NART 5 R	—	NART 5 UUR	—	14.5	5	16
	—	NART 5 VR	—	NART 5 VUUR	15.1	5	16
6	NART 6 R	—	NART 6 UUR	—	20.5	6	19
	—	NART 6 VR	—	NART 6 VUUR	21.5	6	19
8	NART 8 R	—	NART 8 UUR	—	41.5	8	24
	—	NART 8 VR	—	NART 8 VUUR	42.5	8	24
10	NART 10 R	—	NART 10 UUR	—	64.5	10	30
	—	NART 10 VR	—	NART 10 VUUR	66.5	10	30
12	NART 12 R	—	NART 12 UUR	—	71	12	32
	—	NART 12 VR	—	NART 12 VUUR	73	12	32
15	NART 15 R	—	NART 15 UUR	—	102	15	35
	—	NART 15 VR	—	NART 15 VUUR	106	15	35
17	NART 17 R	—	NART 17 UUR	—	149	17	40
	—	NART 17 VR	—	NART 17 VUUR	155	17	40
20	NART 20 R	—	NART 20 UUR	—	250	20	47
	—	NART 20 VR	—	NART 20 VUUR	255	20	47
25	NART 25 R	—	NART 25 UUR	—	285	25	52
	—	NART 25 VR	—	NART 25 VUUR	295	25	52
30	NART 30 R	—	NART 30 UUR	—	470	30	62
	—	NART 30 VR	—	NART 30 VUUR	485	30	62
35	NART 35 R	—	NART 35 UUR	—	640	35	72
	—	NART 35 VR	—	NART 35 VUUR	655	35	72
40	NART 40 R	—	NART 40 UUR	—	845	40	80
	—	NART 40 VR	—	NART 40 VUUR	865	40	80
45	NART 45 R	—	NART 45 UUR	—	915	45	85
	—	NART 45 VR	—	NART 45 VUUR	935	45	85
50	NART 50 R	—	NART 50 UUR	—	980	50	90
	—	NART 50 VR	—	NART 50 VUUR	1 010	50	90

Note (1): Minimum allowable value of chamfer r

(2): Allowable rotational speed applies to shield type Roller Followers lubricated with grease. When lubricated with oil, a maximum of 130% of the values are allowable. For sealed types, a maximum of 80% of the values are allowable. For full complement sealed type, these values are applicable.



NART...VR

NART...UUR

NART...VUUR

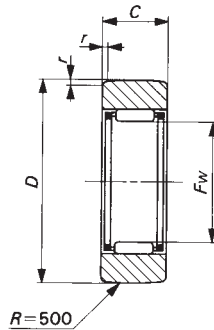
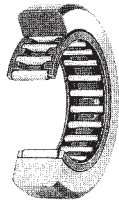
Boundary dimensions mm			$f_{smin}^{(1)}$	Basic dynamic load rating	Basic static load rating	Allowable rotational speed <sup>(2)</sup>	Shaft dia. mm
B	C	a		C kgf	C <sub>0</sub> kgf		
12	11	12	0.3	370	380	21 000	<b>5</b>
12	11	12	0.3	690	850	11 000	
12	11	14	0.3	430	480	17 000	<b>6</b>
12	11	14	0.3	780	1 050	9 000	
15	14	17.5	0.3	580	600	14 000	<b>8</b>
15	14	17.5	0.3	1 200	1 590	7 500	
15	14	23.5	0.6	820	770	12 000	<b>10</b>
15	14	23.5	0.6	1 590	1 840	6 000	
15	14	25.5	0.6	870	860	10 000	<b>12</b>
15	14	25.5	0.6	1 710	2 090	5 500	
19	18	29	0.6	1 400	1 670	8 500	<b>15</b>
19	18	29	0.6	2 560	3 710	4 500	
21	20	32.5	1	1 790	2 140	7 500	<b>17</b>
21	20	32.5	1	3 270	4 720	4 000	
25	24	38	1	2 340	3 130	6 500	<b>20</b>
25	24	38	1	4 250	6 860	3 500	
25	24	43	1	2 520	3 610	5 500	<b>25</b>
25	24	43	1	4 640	8 060	3 000	
29	28	50.5	1	3 420	5 240	4 500	<b>30</b>
29	28	50.5	1	6 110	11 300	2 500	
29	28	53.5	1	3 640	5 850	4 000	<b>35</b>
29	28	53.5	1	6 430	12 400	2 000	
32	30	61.5	1	4 580	8 300	3 500	<b>40</b>
32	30	61.5	1	7 780	16 700	1 800	
32	30	66.5	1	4 770	9 030	3 000	<b>45</b>
32	30	66.5	1	8 190	18 500	1 600	
32	30	76	1	4 960	9 750	3 000	<b>50</b>
32	30	76	1	8 590	20 200	1 500	

1 kgf = 9.807N = 2.2046 lbs.  
1 mm = 0.03937 inch

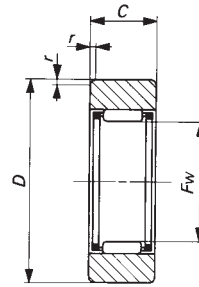


# Separable Roller Followers without Inner Ring RNAS

Shaft dia. 7~60 mm



RNAS...R



RNAS

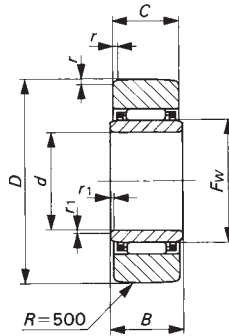
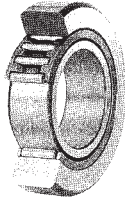
Shaft dia. mm	Identification number		Weight (Ref.) g	Boundary dimensions mm					Basic dynamic load rating C kgf	Basic static load rating C <sub>0</sub> kgf	Allowable rotational speed <sup>(2)</sup> rpm
	Crowned outer ring	Cylindrical outer ring		F <sub>w</sub>	D	C	r <sub>smin</sub> <sup>(1)</sup>				
7	RNAS 5 R	RNAS 5	8.9	7	16	7.8	0.3	280	240	24 000	
10	RNAS 6 R	RNAS 6	13.9	10	19	9.8	0.3	420	460	17 000	
12	RNAS 8 R	RNAS 8	23.5	12	24	9.8	0.6	580	600	14 000	
14	RNAS 10 R	RNAS 10	42.5	14	30	11.8	1	1 000	990	12 000	
16	RNAS 12 R	RNAS 12	49.5	16	32	11.8	1	1 070	1 110	11 000	
20	RNAS 15 R	RNAS 15	50	20	35	11.8	1	1 260	1 460	8 500	
22	RNAS 17 R	RNAS 17	90	22	40	15.8	1	1 790	2 130	7 500	
25	RNAS 20 R	RNAS 20	135	25	47	15.8	1	1 980	2 500	7 000	
30	RNAS 25 R	RNAS 25	152	30	52	15.8	1	2 120	2 890	5 500	
38	RNAS 30 R	RNAS 30	255	38	62	19.8	1	3 110	4 630	4 500	
42	RNAS 35 R	RNAS 35	375	42	72	19.8	1	3 300	5 170	4 000	
50	RNAS 40 R	RNAS 40	420	50	80	19.8	1.5	3 660	6 230	3 500	
55	RNAS 45 R	RNAS 45	460	55	85	19.8	1.5	3 810	6 770	3 000	
60	RNAS 50 R	RNAS 50	500	60	90	19.8	1.5	3 970	7 310	3 000	

Note (1): Minimum allowable value of chamfer r

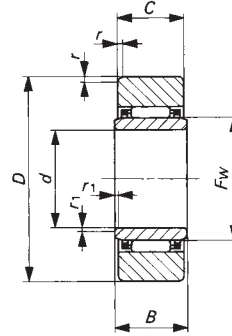
(2): Allowable rotational speed applies to Roller Followers lubricated with grease. When lubricated with oil, a maximum of 130% of the values are allowable.

# Separable Roller Followers with Inner Ring NAST

Shaft dia. 6~50 mm



NAST...R



NAST

ROLLER FOLLOWERS

Shaft dia. mm	Identification number		Weight (Ref.) g	Boundary dimensions mm						Basic dynamic load rating C kgf	Basic static load rating C <sub>0</sub> kgf	Allowable rotational speed <sup>(2)</sup> rpm	
	Crowned outer ring	Cylindrical outer ring		d	D	B	C	r <sub>smin</sub> <sup>(1)</sup>	r <sub>1smin</sub> <sup>(1)</sup>				F <sub>w</sub>
6	NAST 6 R	NAST 6	17.8	6	19	10	9.8	0.3	0.3	10	420	460	17 000
8	NAST 8 R	NAST 8	28	8	24	10	9.8	0.6	0.3	12	580	600	14 000
10	NAST 10 R	NAST 10	49.5	10	30	12	11.8	1	0.3	14	1 000	990	12 000
12	NAST 12 R	NAST 12	58	12	32	12	11.8	1	0.3	16	1 070	1 110	11 000
15	NAST 15 R	NAST 15	62	15	35	12	11.8	1	0.3	20	1 260	1 460	8 500
17	NAST 17 R	NAST 17	109	17	40	16	15.8	1	0.3	22	1 790	2 130	7 500
20	NAST 20 R	NAST 20	157	20	47	16	15.8	1	0.3	25	1 980	2 500	7 000
25	NAST 25 R	NAST 25	180	25	52	16	15.8	1	0.3	30	2 120	2 890	5 500
30	NAST 30 R	NAST 30	320	30	62	20	19.8	1	0.6	38	3 110	4 630	4 500
35	NAST 35 R	NAST 35	440	35	72	20	19.8	1	0.6	42	3 300	5 170	4 000
40	NAST 40 R	NAST 40	530	40	80	20	19.8	1.5	1	50	3 660	6 230	3 500
45	NAST 45 R	NAST 45	580	45	85	20	19.8	1.5	1	55	3 810	6 770	3 000
50	NAST 50 R	NAST 50	635	50	90	20	19.8	1.5	1	60	3 970	7 310	3 000

Note (1): Minimum allowable value of chamfer  $r$  or  $r_1$   
 (2): Allowable rotational speed applies to Roller Followers lubricated with grease. When lubricated with oil, a maximum of 130% of the values are allowable.

1 kgf = 9.807N = 2.2046 lbs.  
 1 mm = 0.03937 inch

